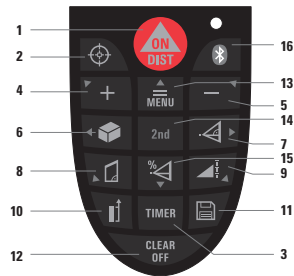


QUICKSTART

Leica DISTO™ D8



- | Buttons | |
|-----------------------|-----------------------------------|
| 1 ON / DIST | 9 Functions |
| 2 On/measuring | 10 Reference |
| 3 Digital Pointfinder | 11 Storage / Memory |
| 4 Timer | 12 Clear / Off |
| 5 Plus (+) | 13 Menu / Equal |
| 6 Minus (-) | 14 2 nd for navigation |
| 7 Area / volume | 15 Ind. measurement |
| 8 Trapezoid | 16 (inclination sensor) |
| | 16 Bluetooth activate |

- when it has to be right

Leica
Geosystems

1x

→ 2 sec.

2x **C** save constant

1x **C** recall constant

2x **1 ... 30** history (1-30)

CLEAR OFF + 2 sec. delete history

3x

→ 2 sec.

1 2 3

2x

→ 2 sec.

1 2 3

1x

→ 2 sec.

1 2

2x

→ 2 sec.

1 2 3

$a \neq b$ $a=1,00m$ $b=0,75m$ $b=0,75m$

$a=b$ $a=1,00m$ $b=1,00m$ $b=1,00m$

1x

→ 2 sec.

1 2 3

$A=A1+A2+A3$

2x

→ 2 sec.

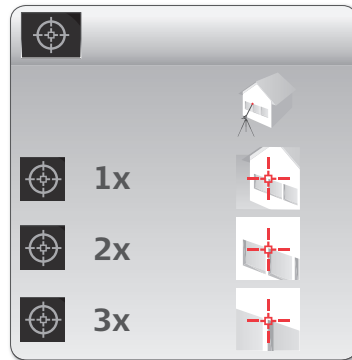
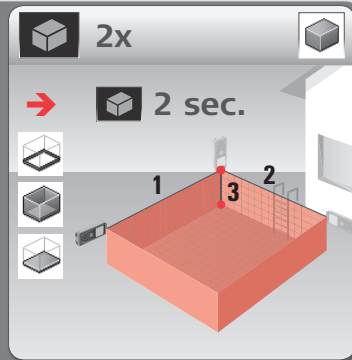
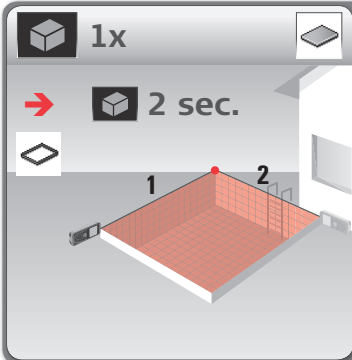
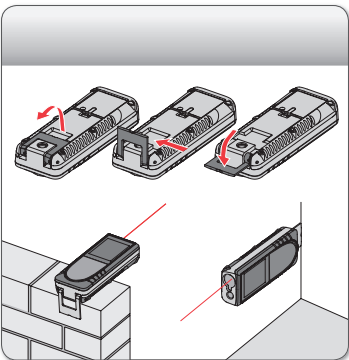
1 2 3

α

1x

→ 2 sec.

1 2 3



CAUTION
 LASER RADIATION - DO NOT STARE INTO BEAM
 CLASS II LASER PRODUCT
 620-690nm/0.95mW max.

Laser class II
 in accordance with
 FDA 21CFR Ch.1 § 1040
 Laser class 2
 in accordance with
 IEC 60825-1 and EN 60825-1

www.disto.com



SAP. No. 766553a

